

# ELECTROPULS® PULLROD KIT

3117-082

## PRINCIPLE OF OPERATION

The Electropuls® Pullrod Kit is a set of 4 different length pullrods suitable for fatigue, tension, compression, and torsion testing. The Pullrod kit optimizes compatible accessories for maximum range of operation when used on the new ElectroPuls test instruments (except E1000) in combination with a 3119-605 chamber.



ElectroPuls pullrod kit

## FEATURES

- Dynamic Linear Capacity:  $\pm 20\text{kN}$  ( $\pm 4496$  lbf)
- Dynamic Torque Capacity: Up to  $\pm 130$  Nm ( $\pm 1150$  in-lb)
- Suitable for linear and torsion including full reverse-stress dynamic testing.
- Includes Thermal Breaks to ensure no excessive thermal transfer occurs to sensitive components
- Optimized for a range of compatible accessories when used on new ElectroPuls test instruments (except E1000) with a 3119-605 chamber.
  - 20 kN Compression Platens
  - 3-Point Bend Fixture
  - 4-Point Bend Fixture Conversion Kit
  - Linear-Torsion Mechanical Wedge-Action Grips

## SPECIFICATIONS

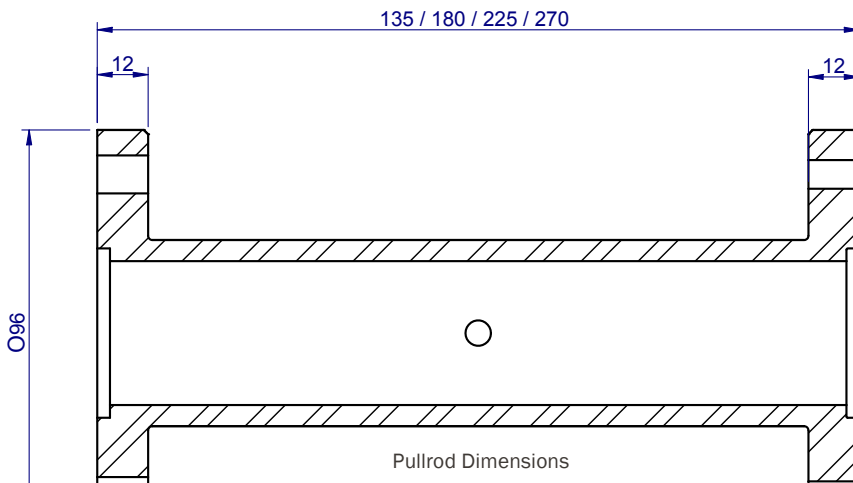
|  |        |   |
|--|--------|---|
| Catalogue Number                       |        | 3117-082  |
| Maximum Force Capacity                 | kN     | ±20   |
|  | lbf    | ±4496   |
| Maximum Torque Capacity                | Nm     | ±130  |
|  | lbf.in | ±1150   |
| Mechanical Interface (Upper and Lower) |        | Flange Mount (To suit 3xM6, 3xM8 or 6xM8 on 75mm PCD) |
| Temperature Range                      | °C     | -70 to +350   |
|  | °F     | -94 to +662   |
| Pullrod 1 Details                      | mm     | 135   |
|  | in     | 5.3   |
|  | kg     | 1.7   |
|  | lbs    | 3.75  |
| Pullrod 2 Details                      | mm     | 180   |
|  | in     | 7   |
|  | kg     | 1.9   |
|  | lbs    | 4.2   |
| Pullrod 3 Details                      | mm     | 225   |
|  | in     | 8.8   |
|  | kg     | 2.1   |
|  | lbs    | 4.65  |
| Pullrod 4 Details                      | mm     | 270   |
|  | in     | 10.6  |
|  | kg     | 2.3   |
|  | lbs    | 5.1   |
| Static or Fatigue Rated                |        | Fatigue   |



Pullrod with Mechanical Wedge Grip

## ACCESSORIES

| Catalog Number | Description   |
|----------------|---|
| 2840-030       | 20 kN Compression Platens                                   |
| 2810-500       | 3-Point Bend Fixture  |
| 2810-505       | 4-Point Bend Fixture Conversion Kit                         |
| 2742-206       | ±3 kN ±25 Nm Linear-Torsion Mechanical Wedge-Action Grips   |
| 2742-316       | ±10 kN ±100 Nm Linear-Torsion Mechanical Wedge-Action Grips |
| 2742-406       | ±20 kN ±130 Nm Linear-Torsion Mechanical Wedge-Action Grips |



Pullrod with 3-Point Bend Fixture

[www.instron.com](http://www.instron.com)



Worldwide Headquarters  
825 University Ave, Norwood, MA 02062-2643, USA  
Tel: +1 800 564 8378 or +1 781 575 5000

European Headquarters  
Coronation Road, High Wycombe, Bucks HP12 3SY, UK  
Tel: +44 1494 464646

CEAST Headquarters  
Via Airauda 12, 10044 Pianezza TO, Italy  
Tel: +39 011 968 5511