

8850 SERIES AXIAL-TORSION SYSTEM

±100 kN, ±1000 Nm / ±250 kN, ±2000 Nm

The Instron 8850 series system is a floor model biaxial servohydraulic dynamic test system that provides axial and torsional load on a specimen in an integrated biaxial actuator. With a precision aligned, high-stiffness twin-column frame, the 8850 series meets the challenging demands of a varied range of both static and dynamic biaxial testing requirements. Instron provides a wide range of high capacity axial-torsional accessories and custom options to suit your testing needs. Many components of the frame can be configured to aid convenience and requirements according to your applications. Our dedicated project engineers will assist in every step of the purchasing process from configuring your machine to delivery, installation and system handover. The 8850 series combined with advanced features of a two-axis 8800MT digital controller and an axial-torsional fatigue-rated Dynacell™ enables Instron to supply fully integrated turnkey solutions to meet the most demanding applications.

OUR RANGE

- The Instron 8852 system has an axial load capacity of ±100 kN and a torque capacity of ±1000 Nm, with an axial actuator stroke of 150 mm and a rotary stroke of 90°.
- The Instron 8854 system has an axial load capacity of ±250 kN and a torque capacity of ±2000 Nm, with an axial actuator stroke of 100 mm and a rotary stroke of 90°.

STANDARD FEATURES

- Axial-Torsion actuator assembly with a decoupled linear-rotary mechanism
- Precision-aligned load frame with induction hardened chrome plated columns and high side load resistance
- Hydraulic lift and locks of the upper crosshead for ease of adjustment of the crosshead
- Actuator in upper crosshead with IGUS chain hose management system to prevent overhanging cables around the machine
- Patented Dynacell™ load cell featuring compensation for inertial loads caused by heavy grips and fixtures in both axes
- Wide range of axial-torsional grips, fixtures, and accessories that will suit your application
- Hydraulic grips with interchangeable wedge and collet heads for flat and round specimen
- Versatile and highly configurable test space with T-Slot table and threaded fixture holes for accessory mounting
- Optional 280 bar seal-less high-performance actuator available as a configuration
- Available with Console, WaveMatrix™ 2 and Bluehill® Universal for a consistent user experience



Instron 8854

Instron 8852

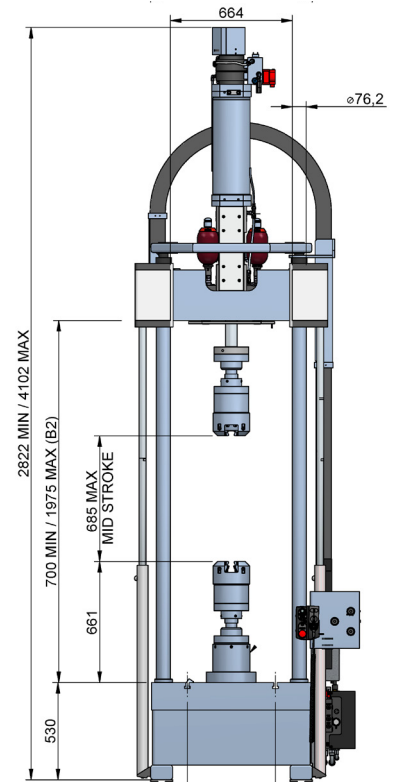
WHY CHOOSE INSTRON?

The Instron 8850 series is supplied with a two-axis 8800MT digital controller, which comes with Console software to provide full system control from the PC, including waveform generation in both axes, calibration, limit set up, and status monitoring. The 8800MT controller also enables the use of WaveMatrix™ 2 block loading software for simple and advanced axial-torsion dynamic tests on materials or components, and Bluehill® Universal software for static tests.

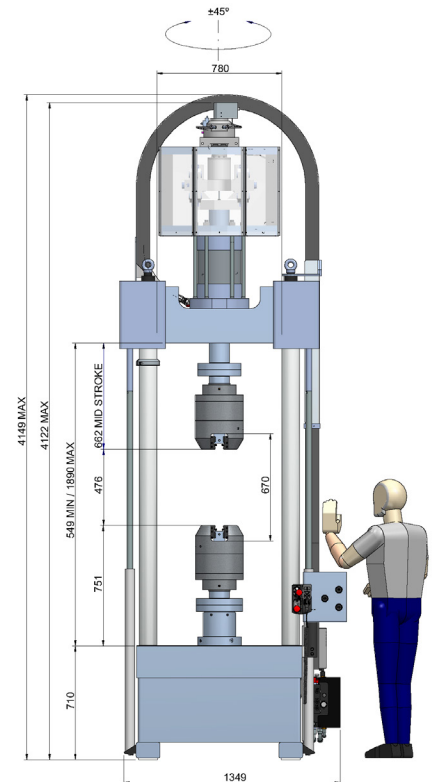
FRAME SPECIFICATIONS

		8852	8854 (H1)	8854 (H2)
Daylight Opening (Maximum Between Table and Crosshead)	mm	1975	1890	2330 ₁
	in	78	74	92 ₁
Dynamic Axial Load Capacity	kN	±100	±250	
	kip	±22	±56	
Dynamic Torsion Load Capacity	Nm	±1000	±2000	
	in-lb	±8800	±17700	
Actuator Axial Stroke (Total)	mm	150	100	
	in	6	4	
Actuator Rotary Stroke	°	±45		±45
Configuration	Twin-column with actuator in table or upper crosshead		Twin-column with actuator in upper crosshead	
Lifts and Locks	Hydraulically-Powered Lifts and Locks			
Load Cell	Patented ₂ Biaxial Dynacell™ Fatigue-Rated Load Cell of Capacity to Suit Actuators			
Load Weighing Accuracy	±0.5% of Indicated Load or ±0.002% of Load Cell Capacity (1-100%), Whichever is Greater.			
Hydraulic Pressure Supply (Required)	bar	207	207	
	psi	3000	3000	
Frame Stiffness (At 1 m Daylight)	kN/mm	505	1060	
Frame Weight (Approximate guidance only)	kg	1500	2450	
	lb	3310	5396	

1) Height Options
2) US Patent Number 6508132



Instron 8852



Instron 8854 (Height Option 1)

www.instron.com



Worldwide Headquarters
825 University Ave, Norwood, MA 02062-2643, USA
Tel: +1 800 564 8378 or +1 781 575 5000

European Headquarters
Coronation Road, High Wycombe, Bucks HP12 3SY, UK
Tel: +44 1494 464646